



LED spotlight C1-DL

description:

LED spotlight for installation in display case ceilings,
360° rotatable, 55° swivelling

housing colour:

aluminium anodised black, silver, gold
(other surface finishing on request)

optics:

10°, 15°, 20°, 35°, 45°, 46°+ 10°

light colour (+/- 100K):

~2,700K, ~3,000K, ~3,500K, ~4,000K, ~5,700K

high power LED, high CRI DIN EN 55015:2013,
lifetime 50,000 hours | basis of lifetime L80B10

protection class: IP 20, protection class III, CE,
UL Listed No. E506729 - low voltage LED luminaire

max. luminous flux (~3,000 K | standard lens 20°):

~180 lm at ~2.9 W (62 lm/W)

power input:

constant current up to max. 900 mA

allowed LED driver:

LED driver for the Micro Jolly, Mini Jolly,
Maxi Jolly by TCI with constant current
(other LED driver on request)

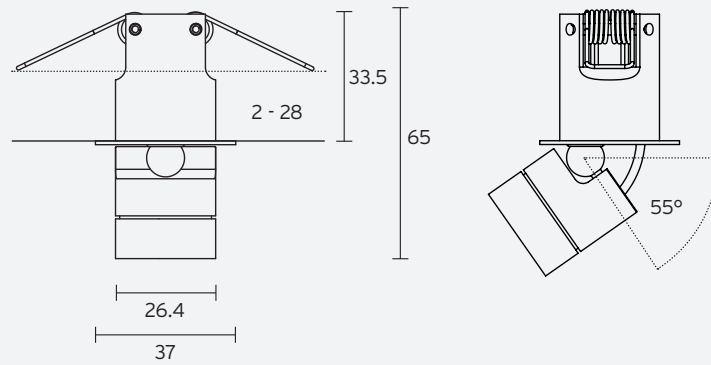
dimming: external

via potentiometer (incl.)

optional accessory:

honeycomb grid, anti-glare tube, inclined tube,
light diffusion foil, barn door,
zoom optic (2° - 25°, 6° - 36°)

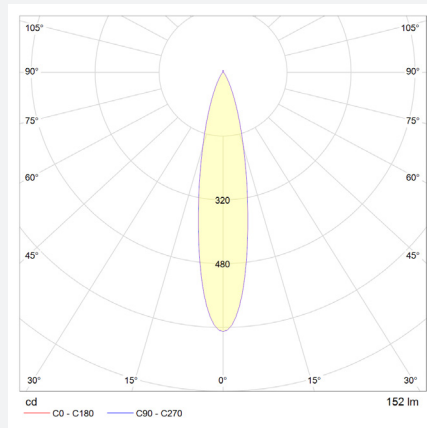
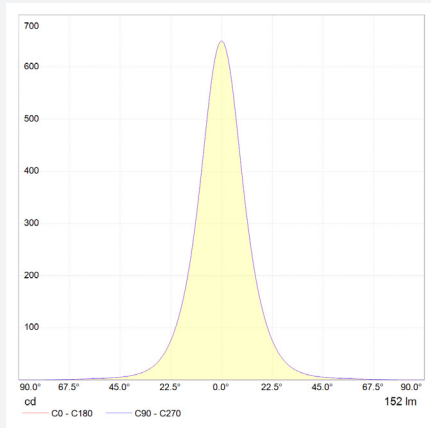
dimensions



specification in mm

photometry

for light colour ~3,000K | standard lens 20° | colour rendering index typ. 97, R9 > 90, R12 > 90 | colour variation ≤ 3 SDCM



technical changes reserved | August 2021