



## LED spotlight C1-mini-S-VL

### description:

LED spotlight for installation in display cases,  
360° rotatable, 135° swivelling,  
attachment with mounting flange

### housing colour:

aluminium anodised black, silver, gold  
(other surface finishing on request)

### optics:

15°, 18°, 26°, 30°, 45°, 80°, 47°+25°, 40°+10°

### light colour (+/- 100K):

~2,700 K, ~3,000 K, ~3,500 K, ~4,000 K, ~5,700 K

### high power LED, high CRI DIN EN 55015:2013,

lifetime 50,000 hours | basis of lifetime L80B10

### protection class: IP 20, protection class III, CE,

UL Listed No. E506729 - low voltage LED luminaire

### max. luminous flux (~3,000 K | standard lens 30°):

~130 lm at ~1.8 W (72 lm/W)

### power input:

constant current up to max. 600 mA

### allowed LED driver:

LED driver for the Micro Jolly, Mini Jolly,  
Maxi Jolly by TCI with constant current  
(other LED driver on request)

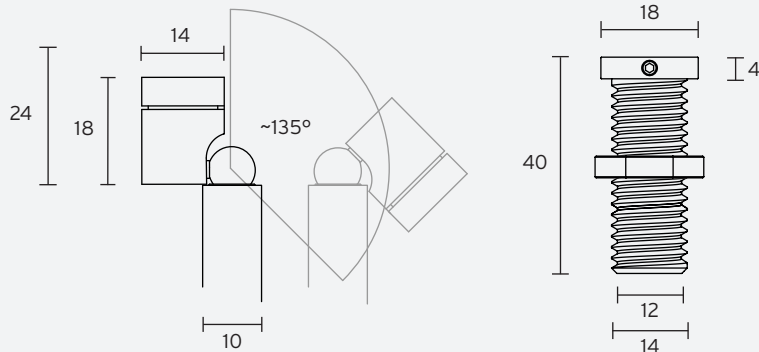
### dimming:

external via potentiometer (incl.)

### optional accessory:

honeycomb grid, anti-glare tube, inclined tube,  
light diffusion foil, barn door

## dimensions

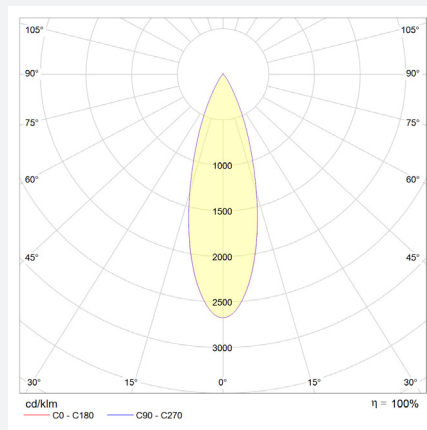
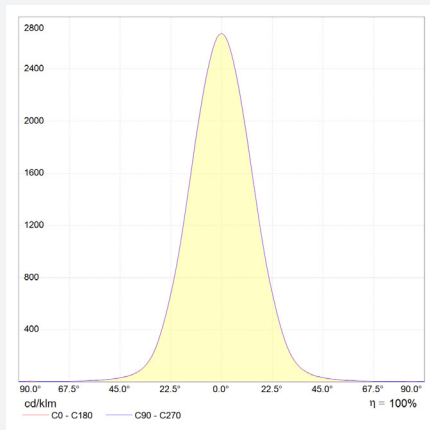


- standard extension max. 440 mm (max. visible length 400 mm)
- can be shortened on request
- additional height adjustable via flange
- panel thickness 2-23 mm
- borehole  $\varnothing$  14.5 mm

specification in mm

## photometry

for light colour ~3,000K | standard lens 30° | colour rendering index typ. 97, R9 > 90, R12 > 90 | colour variation  $\leq$  3 SDCM



Variation (on request)  
with 2 or 3 LED spotlights



technical changes reserved | August 2021