



LED spotlight C1-mini-S-VL

part number: A400013

description:

LED spotlight for installation in display cases,
360° rotatable, 135° swivelling,
attachment with mounting flange

housing colour:

aluminum anodised matte in black, silver, gold, champagne
(other surface finishing on request)

optics:

15°, 18°, 26°, 30°, 45°, 80°, 47°+25°, 40°+10°

light colour (+/- 100K):

~2,700 K, ~3,000 K, ~3,500 K, ~4,000 K, ~5,700 K

high power LED, high CRI DIN EN 55015:2013,
lifetime 50,000 hours | basis of lifetime L80B10

protection class: IP 20, protection class III, CE,
UL Listed No. E506729 - low voltage LED luminaire

luminous flux (~3,000 K | 30° | 500 mA):

~130 lm at ~1.8 W (72 lm/W)

power input:

500 mA (constant current)

allowed LED driver:

LED driver for the Micro Jolly, Mini Jolly,
Maxi Jolly by TCI with constant current
(other LED driver on request)

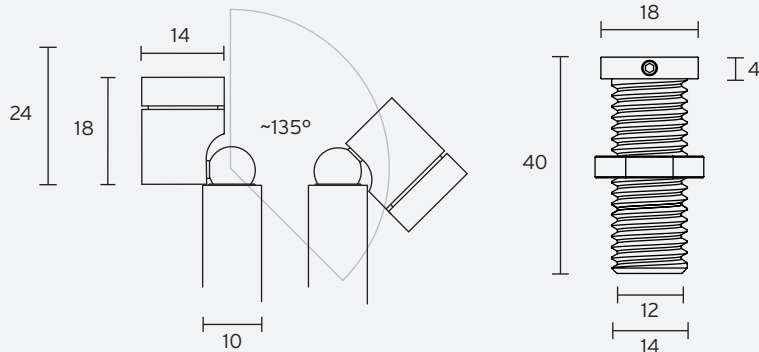
dimming:

external via potentiometer (incl.)

optional accessories:

honeycomb grid, anti-glare tube, inclined tube,
light diffusion foil, barn doors

dimensions

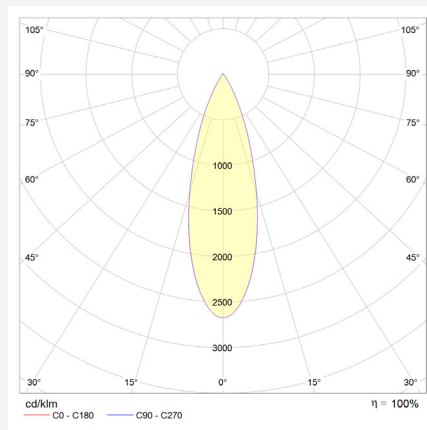
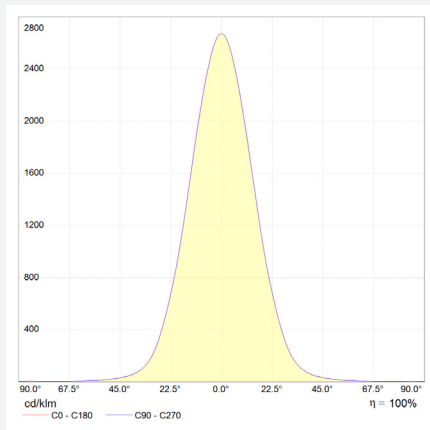


- standard tube length 440 mm (visible length 400 mm)
- minimum tube length 65 mm (visible length 25 mm)
- the length of the tube can be varied using the grub screw on the flange
- possible panel thicknesses 2-23 mm
- borehole \varnothing 15 mm

specification in mm

photometry

for light colour ~3,000K | standard lens 30° | 500 mA | CRI typ. 97, R9 > 90, R12 > 90 | colour variation \leq 3 SDCM



Variation (on request)
with 2 or 3 LED spotlights



technical changes reserved | July 2023