



## LED spotlight C1-mini-S

part number: A400012

### description:

LED spotlight for installation in display cases,  
360° rotatable, 135° swivelling,  
with screw base or magnetic base

### housing colour:

aluminum anodised matte in black, silver, gold, champagne  
(other surface finishing on request)

### optics:

15°, 18°, 26°, 30°, 45°, 80°, 47°+25°, 40°+10°

### light colour (+/- 100K):

~2,700 K, ~3,000 K, ~3,500 K, ~4,000 K, ~5,700 K

### high power LED, high CRI DIN EN 55015:2013,

lifetime 50,000 hours | basis of lifetime L80B10

### protection class: IP 20, protection class III, CE,

UL Listed No. E506729 - low voltage LED luminaire

### luminous flux (~3,000 K | 30° | 500 mA):

~130 lm at ~1.8 W (72 lm/W)

### power input:

500 mA (constant current)

### allowed LED driver:

LED driver for the Micro Jolly, Mini Jolly,  
Maxi Jolly by TCI with constant current  
(other LED driver on request)

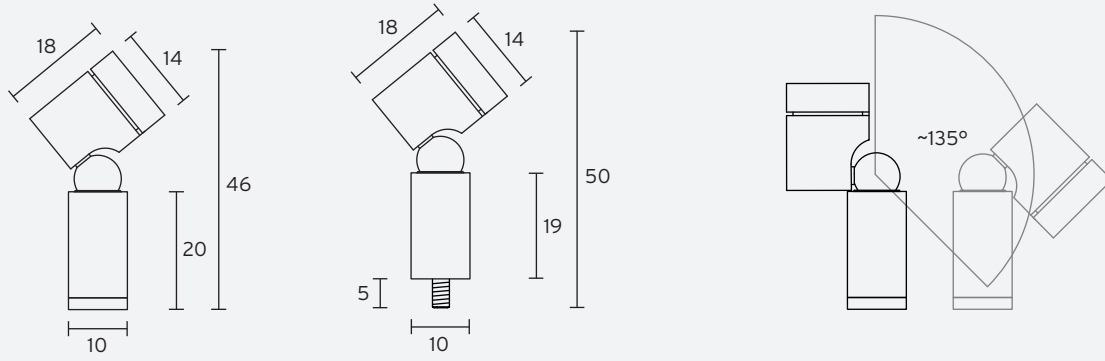
### dimming:

external via potentiometer (incl.)

### optional accessories:

honeycomb grid, anti-glare tube, inclined tube,  
light diffusion foil, barn doors

## dimensions



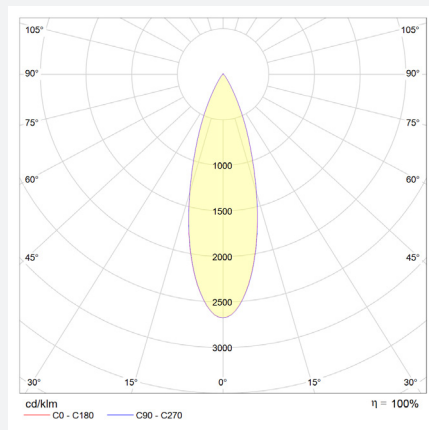
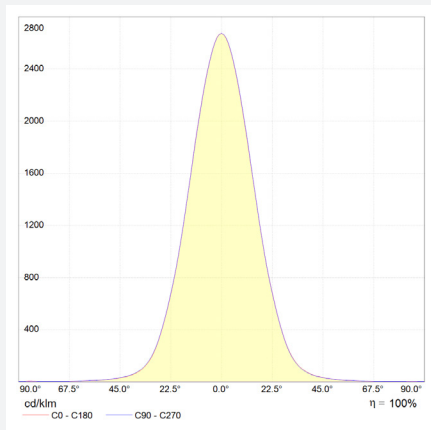
magnetic base

screw base (thread M3)

specification in mm

## photometry

for light colour ~3,000K | standard lens 30° | 500 mA | CRI typ. 97, R9 > 90, R12 > 90 | colour variation ≤ 3 SDCM



technical changes reserved | July 2023