



## LED spotlight C1-mini-UHC

**description:**

LED spotlight for installation on magnetic track,  
180° rotatable, 90° swivelling

**housing colour:**

aluminium anodised black, silver, gold  
(other surface finishing on request)

**optics:**

8°, 15°, 18°, 26°, 30°, 45°, 80°, 47°+25°, 40°+10°

**light colour (+/- 100K):**

~2,700K, ~3,000K, ~3,500K, ~4,000K, ~5,700K

**high power LED, high CRI DIN EN 55015:2013,**

lifetime 50,000 hours | basis of lifetime L80B10

**protection class: IP 20, protection class III, CE,**

UL Listed No. E506729 - low voltage LED luminaire

**max. luminous flux (~3,000 K | standard lens 30°):**

~140lm at ~2.3W (61lm/W)

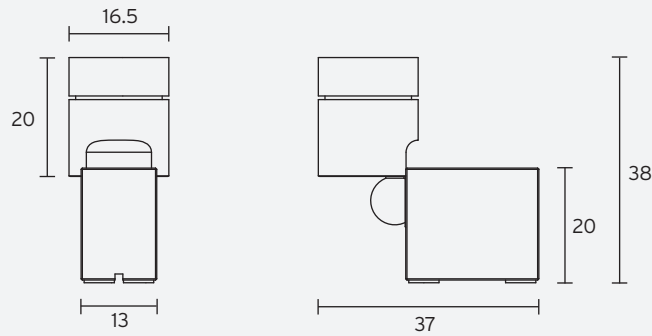
**power input: 12V DC constant voltage****allowed LED driver:**

power supply of LPF, LPV, NPF or APV series  
by MeanWell with constant voltage 12V DC, class 2  
in combination with dimmer by feno  
(other power supply on request)

**dimming: external****accessory: magnetic track****optional accessory:**

magnetic track holders,  
honeycomb grid, anti-glare tube, inclined tube,  
snoot (8°), light diffusion foil, barn door,  
zoom optic (9°-33°)

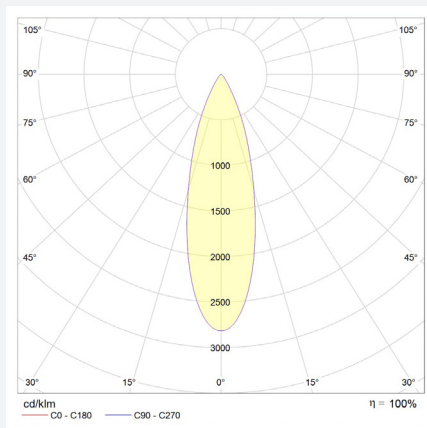
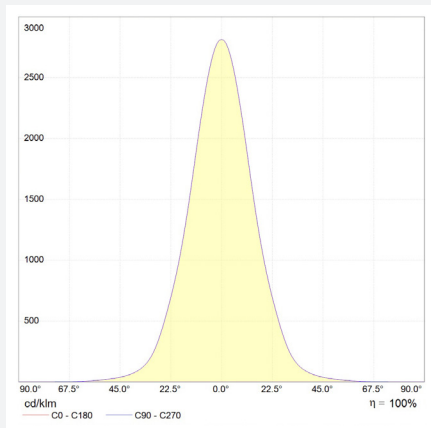
## dimensions



specification in mm

## photometry

for light colour ~3,000K | standard lens 30° | colour rendering index typ. 97, R9 > 90, R12 > 90 | colour variation ≤ 3 SDCM



technical changes reserved | August 2021