



LED spotlight C2-C with single lens (Casambi Control)

part number: A400031

description:

LED spotlight for installation on magnetic track, 180° rotatable, 90° swivelling

housing colour:

aluminum anodised matte in black, silver, gold, champagne (other surface finishing on request)

optics:

6°, 12°, 25°, 60°, 40°+ 10°

light colour (+/- 100K):

~2,700K, ~3,000K, ~3,500K, ~4,000K, ~5,700K

high power LED, high CRI DIN EN 55015:2019,

lifetime 50,000 hours | basis of lifetime L80B10

protection class: IP 20, protection class III, CE,

ETSI EN 300 328 V2.2.2,

UL Listed No. E506729 - low voltage LED luminaire

luminous flux (~3,000 K | 25°):

~260 lm at ~3.5 W (74 lm/W)

power input:

9 - 24V DC

allowed power supplies:

power supplies of LPF, NPF or APV series by MeanWell with constant voltage 12V DC, class 2 (other power supplies on request)

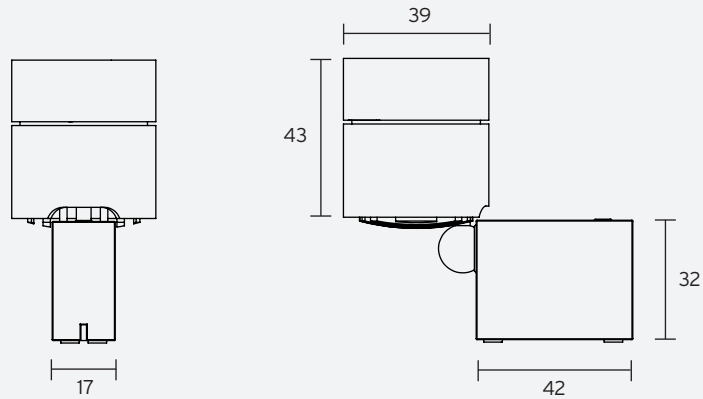
dimming: via Casambi-App

accessory: magnetic track

optional accessories:

magnetic track holders, honeycomb grid, anti-glare tube, slash cut tube, snoot (6°), light diffusion foil, barn doors

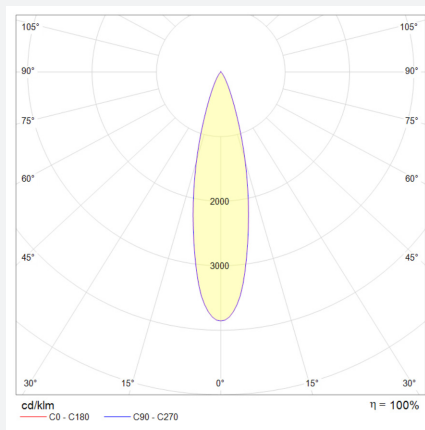
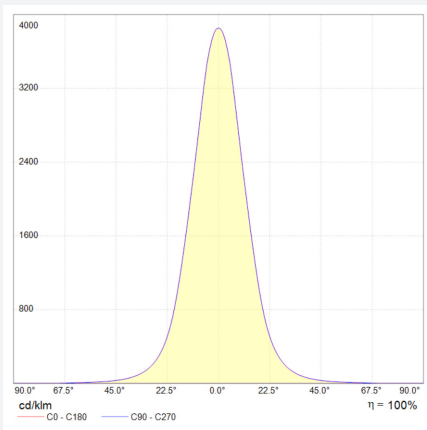
dimensions



specification in mm

photometry

light colour ~3,000K | standard lens 25° | CRI typ. 97, R9 > 90, R12 > 90 | colour variation ≤ 3 SDCM | distance ~60 cm



Dimming

The C1-mini-C spotlight is controlled via the Casambi app. The set value is automatically saved and retained even after a power cut. The dimming range has 810 steps (flicker-free) from 100% to 0.4%. The dimming frequency is approx. 14 kHz.

The Casambi app can be freely downloaded from the App Store or Google Play. After opening, the app automatically finds all Casambi-operated spotlights.

Tap on *Add All luminaires to ... / My network*. All spotlights are connected into a network and the *Luminaires* menu opens automatically. (To switch on or off - tap the symbol; to dim - swipe horizontally over the symbol)



technical changes reserved | January 2025



LED spotlight C2-C with triple lens (Casambi Control)

part number: A400032

description:

LED spotlight for installation on magnetic track,
180° rotatable, 90° swivelling

housing colour:

aluminum anodised matte in black, silver, gold, champagne
(other surface finishing on request)

optics:

13°, 25°, 42°

light colour (+/- 100K):

~2,700K, ~3,000K, ~3,500K, ~4,000K, ~5,700K

3 high power LED, high CRI DIN EN 55015:2019,
lifetime 50,000 hours | basis of lifetime L80B10

protection class: IP 20, protection class III, CE,
ETSI EN 300 328 V2.2.2,
UL Listed No. E506729 - low voltage LED luminaire

luminous flux (~3,000 K | 25°):

~310 lm at ~4.5 W (69 lm/W)

power input:

9 - 24V DC

allowed power supplies:

power supplies of LPF, NPF or APV series by MeanWell
with constant voltage 12V DC, class 2
(other power supplies on request)

dimming:

via Casambi-App

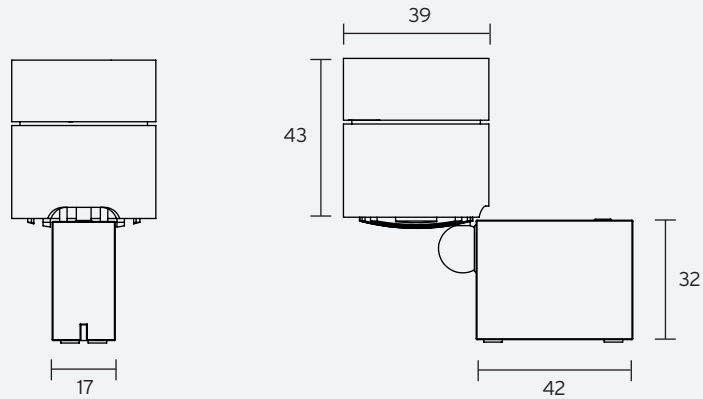
accessory:

magnetic track

optional accessories:

magnetic track holders,
honeycomb grid

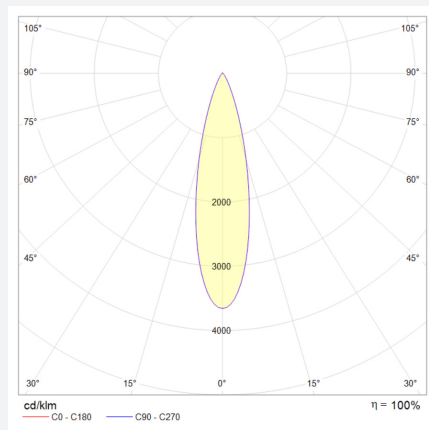
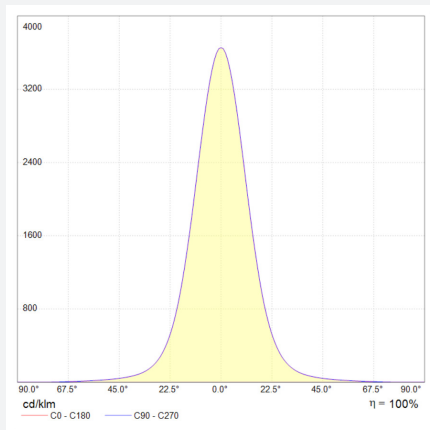
dimensions



specification in mm

photometry

light colour ~3,000K | standard lens 25° | CRI typ. 97, R9 > 90, R12 > 90 | colour variation ≤ 3 SDCM | distance ~60 cm



Dimming

The C1-mini-C spotlight is controlled via the Casambi app. The set value is automatically saved and retained even after a power cut. The dimming range has 810 steps (flicker-free) from 100% to 0.4%. The dimming frequency is approx. 14 kHz.

The Casambi app can be freely downloaded from the App Store or Google Play. After opening, the app automatically finds all Casambi-operated spotlights.

Tap on *Add All luminaires to ... / My network*. All spotlights are connected into a network and the *Luminaires* menu opens automatically. (To switch on or off - tap the symbol; to dim - swipe horizontally over the symbol)



technical changes reserved | January 2025