



LED spotlight C2-S with single lens

description:

LED spotlight for installation in display cases,
360° rotatable, 180° swivelling,
with screw base or magnetic base

housing colour:

aluminium anodised black, silver, gold
(other surface finishing on request)

optics:

14°, 25°, 60°, 40°+ 15°

light colour (+/- 100K):

~2,700 K, ~3,000 K, ~3,500 K, ~4,000 K, ~5,700 K

high power LED, high CRI DIN EN 55015:2013,

lifetime 50,000 hours | basis of lifetime L80B10

protection class:

IP 20, protection class III, CE

max. luminous flux (~3,000 K | standard lens 25°):

~260 lm at ~4.5 W (58 lm/W)

power input:

constant current up to max. 1200 mA

allowed LED driver:

LED driver for the Micro Jolly, Mini Jolly,
Maxi Jolly by TCI with constant current
(other LED driver on request)

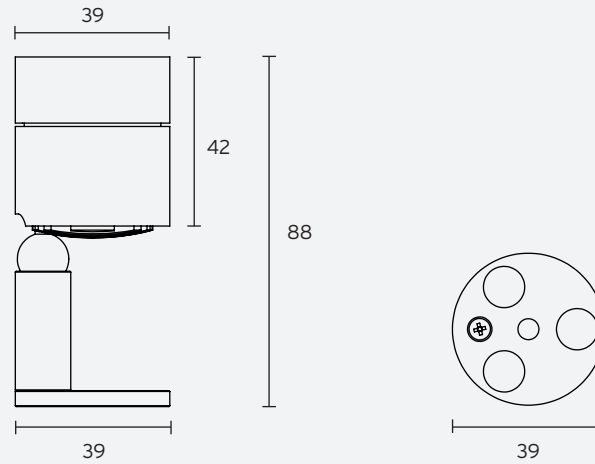
dimming:

external via potentiometer (incl.)

optional accessory:

honeycomb grid,
anti-glare tube,
inclined tube,
light diffusion foil,
barn door

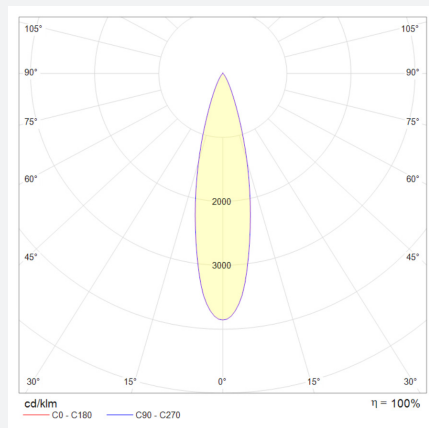
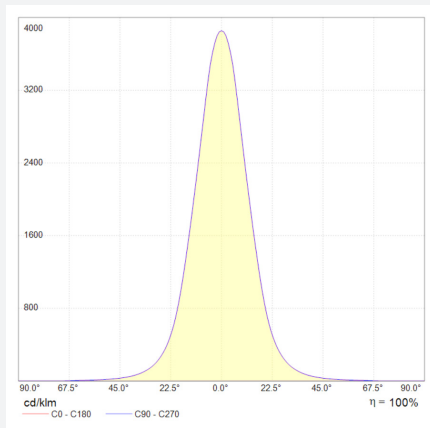
dimensions



specification in mm

photometry

for light colour ~3,000K | standard lens 25° | colour rendering index typ. 97, R9 > 90, R12 > 90 | colour variation ≤ 3 SDCM



technical changes reserved | August 2021



LED spotlight C2-S with triple lens

description:

LED spotlight for installation in display cases,
360° rotatable, 180° swivelling,
with screw base or magnetic base

housing colour:

aluminium anodised black, silver, gold
(other surface finishing on request)

optics:

18°, 25°, 32°, 67°

light colour (+/- 100K):

~2,700 K, ~3,000 K, ~3,500 K, ~4,000 K, ~5,700 K

high power LED, high CRI DIN EN 55015:2013,

lifetime 50,000 hours | basis of lifetime L80B10

protection class:

IP 20, protection class III, CE

max. luminous flux (~3,000 K | standard lens 25°):

~310 lm at ~4.5 W (69 lm/W)

power input:

constant current up to max. 470 mA

allowed LED driver:

LED driver for the Micro Jolly, Mini Jolly,
Maxi Jolly by TCI with constant current
(other LED driver on request)

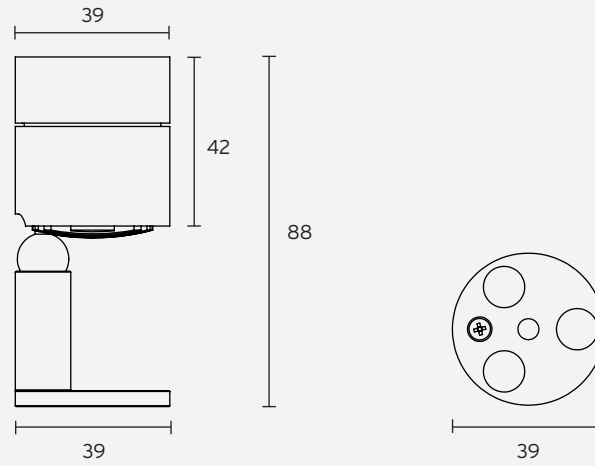
dimming:

external via potentiometer (incl.)

optional accessory:

honeycomb grid,
anti-glare tube,
inclined tube,
light diffusion foil,
barn door

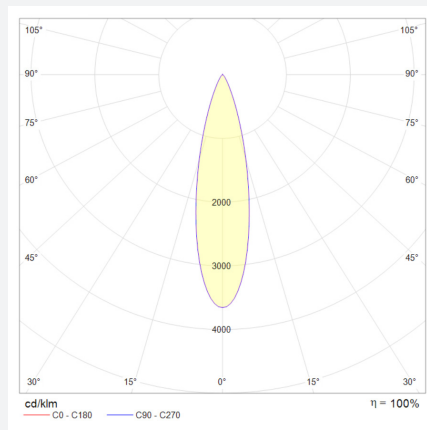
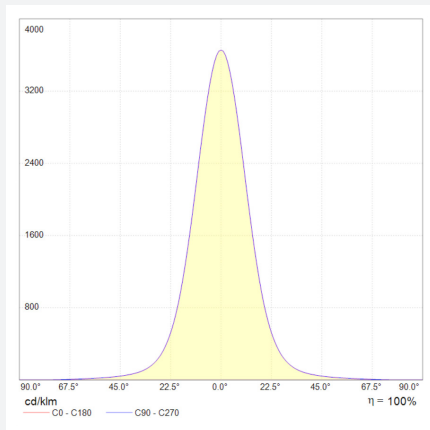
dimensions



specification in mm

photometry

for light colour ~3,000K | standard lens 25° | colour rendering index typ. 97, R9 > 90, R12 > 90 | colour variation ≤ 3 SDCM



technical changes reserved | August 2021