

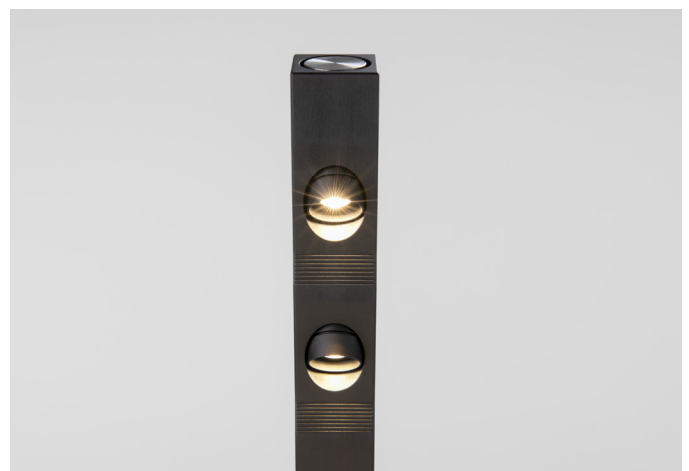


LED table lamp Lib

The desk luminaire Lib was developed in collaboration with Light Bureau Norway specifically for library workspaces. It provides precise, glare-free illumination of the desk surface, supporting focused reading and studying. Lib is intuitive to operate, deliberately understated in its design, and engineered for reliable use in public environments.

Two miniature LED spotlights derived from museum lighting are used, delivering illuminance levels of over 1,000 lx on the work surface. In addition, the luminaire meets the requirements of EN 12464-1:2021 (Ref. No. 41.2) and significantly exceeds the specified lighting levels.

Lib is currently installed at the Deichman Bjørvika in Oslo, where it contributes to a comfortable and focused working atmosphere.



description:

LED table lamp with piezo switch for switching the lamp on and off, available with or without base, including power supply unit for connection to ~230V AC

housing colour:

aluminum anodised matte in black, silver, gold, champagne, bronze (other surface finishing on request)

optic: 47°+25°

light colour (+/- 100K): ~3,000 K (other light colours on request)

high power LED, high CRI DIN EN 55015:2020-07, lifetime 50,000 hours | basis of lifetime L80B10

protection class: IP 20, protection class III, CE

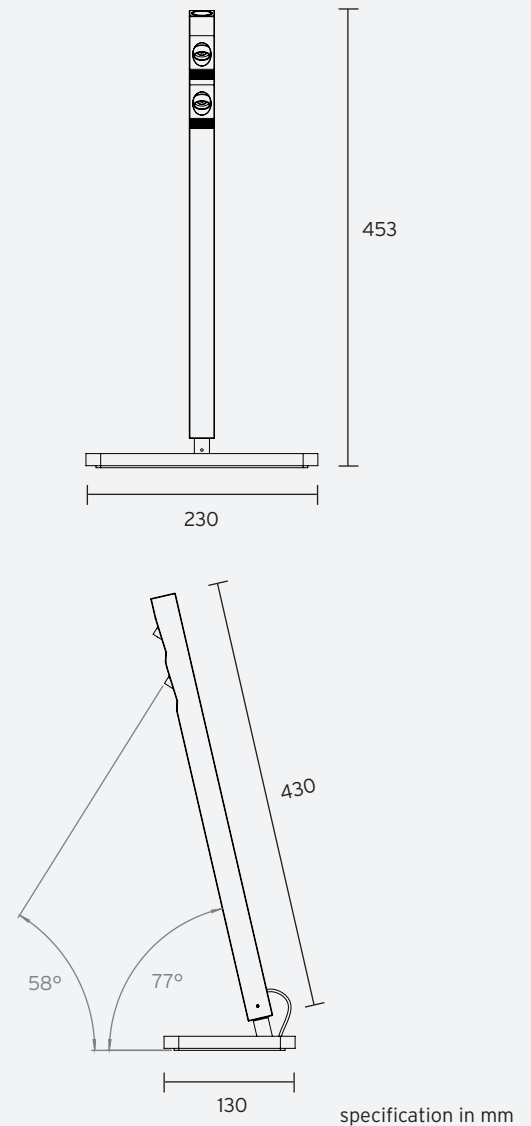
luminous flux: ~276lm at ~4.2W (66lm/W)

lighting measurement:

Em= 1043lx (>500), UGR < 12,4 (<19), CRI > 97 (>80) (Limit values in brackets)

optional accessory: honeycomb grid

dimensions



photometry

for light colour ~3,000K | optic 47°+25° | 700mA | CRI typ. 97, R9 > 90, R12 > 90 | colour variation ≤ 3 SDCM

