



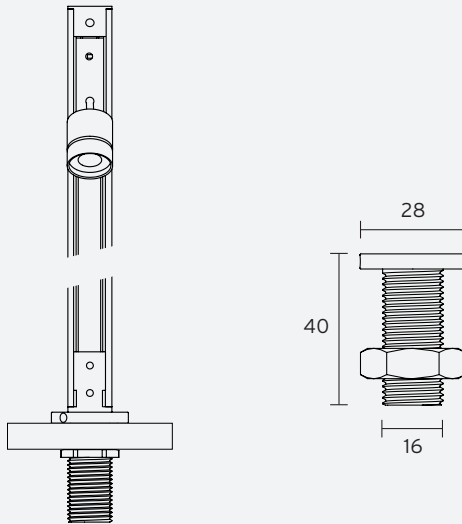
## LED light bar R-SL-16-V

A400113

<b>description:</b>	LED light bar, profile Ø 16 mm, 360° rotatable
<b>housing colour:</b>	aluminum anodised black, silver, gold
<b>LED:</b>	<b>mid power LED, high CRI DIN EN 55015:2013,</b> lifetime 50,000 hours   basis of lifetime L80B10
<b>protection class:</b>	IP 20, protection class III, CE, UL Listed No. E506729 - low voltage LED luminaire
<b>power input:</b>	24V DC (constant voltage)
<b>allowed LED supply:</b>	- power supply of PWM series by MeanWell with constant voltage 24V DC, class 2 - additional power supply is required for C1-mini-R-SL spotlight: LPF, LPV, NPF or APV by MeanWell with constant voltage 12V DC, class 2 (other power supplies on request)
<b>dimming:</b>	external
<b>optional accessories:</b>	anti-glare profile, aluminum anodised black, silver, gold or powder-coated according to RAL, light diffusion foil, cardboard cover strips, LED spotlight C1-mini-R-SL

R-SL16-V	optic (linear optic satined )	light colour (+/- 100K)	LED	luminous flux (~3,000K   ~50°)
7 W	~22°, ~35°, ~50°, ~55° beam angle	~3,000K, ~4,000K	240 LEDs/m (smallest separable unit 25 mm)	~400 lm/m at ~7 W/m (57 lm/W)
15 W	~22°, ~35°, ~50°, ~55° beam angle	~2,700K, ~3,000K, ~3,500K, ~4,000K, Tunable White ~2,700K - 6,500K	240 LEDs/m (smallest separable unit 25 mm)	~900 lm/m at ~15 W/m (60 lm/W)
20 W	~22°, ~35°, ~50°, ~55° beam angle	~3,000K, ~4,000K	240 LEDs/m (smallest separable unit 25 mm)	~1300 lm/m at ~20 W/m (65 lm/W)

### dimensions



- max. profile length 2,000 mm, individual cut from 100 mm to 2,000 mm
- additional height adjustable via flange
- panel thickness 2 - 23 mm
- borehole Ø 16.5 mm

specification in mm

### photometry

for light colour ~3,000K | linear optics ~50° | colour rendering index typ. 97, R9 > 90, R12 > 90 | colour variation ≤ 3 SDCM

