



LED light bar R1

description:

LED light bar, profile \varnothing 10 mm, mountable magnetic, rotatable 360°

housing colour:

aluminium anodised black, silver, gold

optic:

linear optics satined with $\sim 50^\circ$ or $\sim 70^\circ$ beam angle
240 LEDs/m (smallest separable unit 25 mm)

light colour (+/- 100K):

$\sim 2,700\text{K}$, $\sim 3,000\text{K}$, $\sim 4,000\text{K}$,
Tunable White $\sim 2,700\text{K}$ - $6,500\text{K}$

mid power LED, high CRI DIN EN 55015:2013,

lifetime 50,000 hours | basis of lifetime L80B10

protection class: IP 20, protection class III, CE,

UL Listed No. E506729 - low voltage LED luminaire

max. luminous flux ($\sim 3,000\text{K}$ | linear optic $\sim 50^\circ$):

$\sim 400\text{lm/m}$ at $\sim 7\text{W/m}$ (57 lm/W)
 $\sim 900\text{lm/m}$ at $\sim 15\text{W/m}$ (60 lm/W)

power input:

24V DC constant voltage

allowed LED supply:

power supply of PWM series by MeanWell
with constant voltage 24V DC, class 2
(other power supplies on request)

dimming:

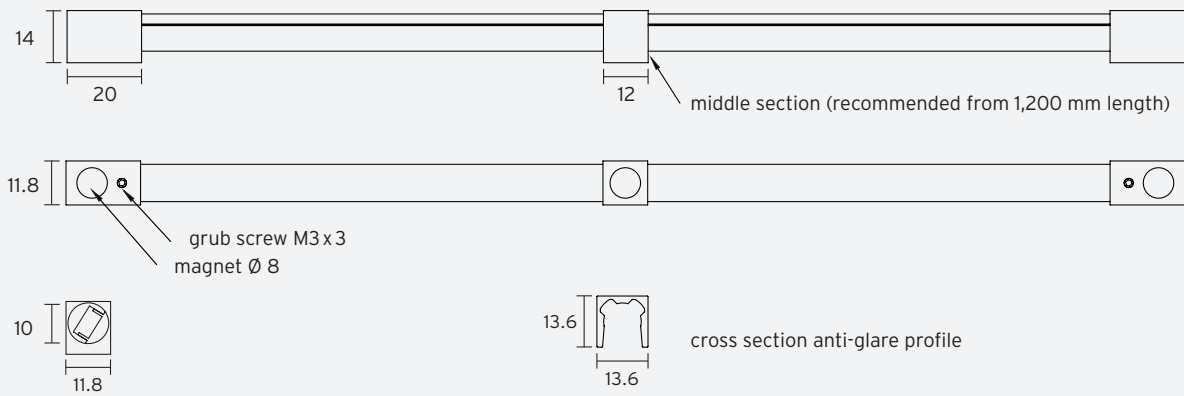
external

optional accessory:

anti-glare profile 13.6 x 13.6 mm,
anodised aluminium or powder-coated according to RAL

dimensions

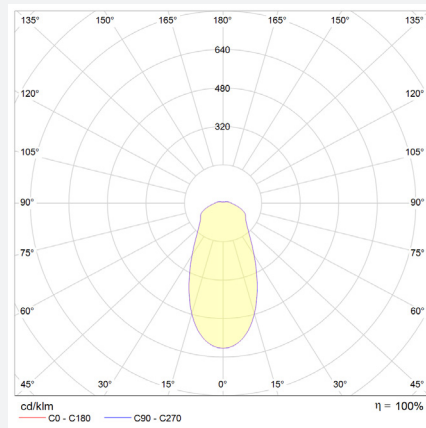
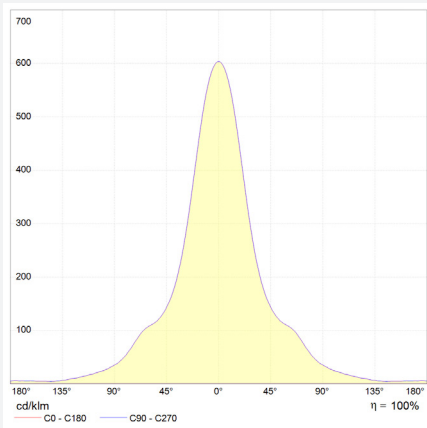
length: individual cut from 100 mm to 3,000 mm



specification in mm

photometry

for light colour ~3,000K | linear optics ~50° | colour rendering index typ. 97, R9 > 90, R12 > 90 | colour variation \leq 3 SDCM



technical changes reserved | August 2021