



LED light bar R1

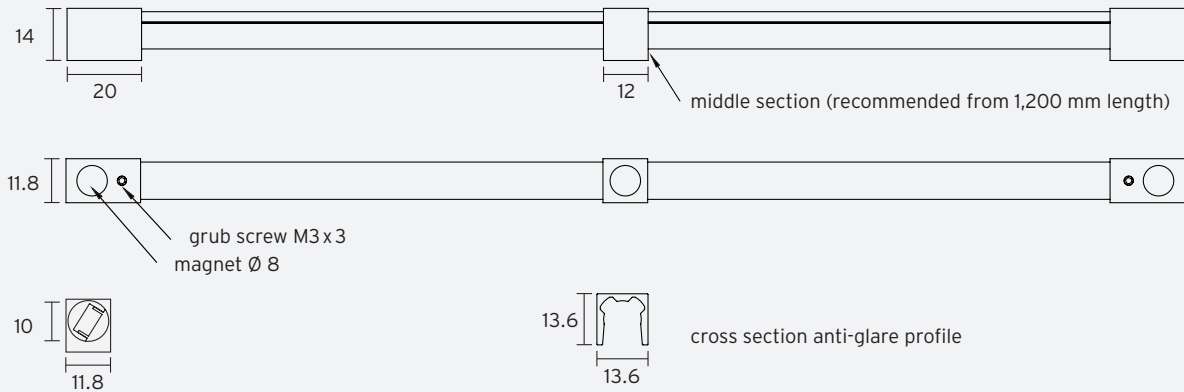
A400101

description:	LED light bar, profile Ø 10 mm, mountable magnetic, rotatable 360°
housing colour:	aluminum anodised black, silver, gold
LED:	mid power LED, high CRI DIN EN 55015:2013, lifetime 50,000 hours basis of lifetime L80B10
protection class:	IP 20, protection class III, CE, UL Listed No. E506729 - low voltage LED luminaire
power input:	24V DC (constant voltage)
allowed LED supply:	power supplies by eldoLED or MeanWell with constant voltage 24V DC, class 2 (other power supplies on request)
dimming:	external
optional accessories:	anti-glare profile 13.6 x 13.6 mm, anodised aluminum or powder-coated according to RAL

R1	optic (linear optic satined)	light colour (+/- 100K)	LED	luminous flux (~3.000 K ~50°)
7 W	~50° and ~60° beam angle	~3,000 K, ~4,000 K	240 LEDs/m (smallest separable unit 25 mm)	~400 lm/m at ~7 W/m (57 lm/W)
15 W	~50° und ~60° beam angle	~2,700 K, ~3,000 K, ~3,500 K, ~4,000 K, Tunable White ~2,700 K - 6,500 K	240 LEDs/m (smallest separable unit 25 mm)	~900 lm/m at ~15 W/m (60 lm/W)
	~70° beam angle	~3,000 K, ~4,000 K	210 LEDs/m (smallest separable unit 25 mm)	~900 lm/m at ~15 W/m (60 lm/W)
20 W	~50° und ~60° beam angle	~3,000 K, ~4,000 K	240 LEDs/m (smallest separable unit 25 mm)	~1300 lm/m at ~20 W/m (65 lm/W)

dimensions

length: individual cut from 100 mm to 3,000 mm



specification in mm

photometry

for light colour ~3,000 K | linear optics ~50° | CRI typ. 97, R9 > 90, R12 > 90 | colour variation ≤ 3 SDCM

